

australia

NORWELD



HEAVY DUTY ALUMINIUM FLATBED TRAYS AND CANOPIES



FOUR WHEEL
POP-UP CAMPERS



About Us

Norweld Australia has been designing and building aluminium flatbed trays and canopies for the most part of the 50 years we have been in business. Years of testing and refinement have seen us design and build what we feel is the best tray and canopy package range on the market.

With extensive experience working with the most popular 4x4 models, we can offer packages that best suit the capabilities of your car. Our design philosophy is to offer great looking, functional and robust tray and canopy packages for the most common 4x4 vehicles on the market.

We have a number of great tray and canopy packages available to suit all budgets. When selecting our packages, you have the ability to choose a build with spec levels and options that suit your intended use.

Our products can be transferred onto your next vehicle, if it is a similar style and size, with minimal change-over parts and cost. This allows you to set up your build for long term enjoyment and use - either for work or play. If you require a one of our deluxe trays, wind-off or full-time canopy, we have a package to suit your needs, whether it is for a weekend away with the family or that long-planned trip.

For more information contact our sales team at

Four Wheel Campers

109 Pioneer Ave, Woodland, CA 95776
+1 530-666-1442



Lite & Weekender flatbed trays



australia
NORWELD

Lite flatbed trays

F-150, F-250, RAM1500, RAM2500, RAM3500, SILVERADO, TUNDRA, DENALI

- Transferable between vehicle models
- 5/32" high tensile plate floor on all trays
- 13/64" checker plate side rails
- Extruded sideboards with built in stiffeners on all trays
- 3" x 1.5" x 1/4" high tensile aluminium chassis runners
- 3" x 13/64" mandrel bent tube headboard
- Spare wheel holders intergrated into the headboard
- Heavy duty stainless steel hinges and catches
- Maxi Lamp LED tail lights
- Router cut 3/8" plate mounts
- Optional one piece flared guard - suits 37-40" wheels
- 4 under tray toolboxes

FROM
635LBS

LED MAXI LAMP
TAIL LIGHTS

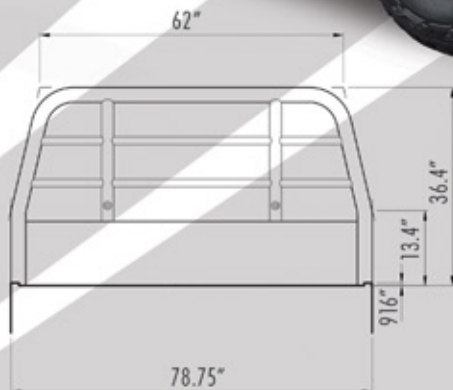


MANDREL BENT
HEADBOARD

INTERGRATED
REVERSE SENSORS



COMPRESSION
ROLLER LOCKS



F-150, F-250, RAM1500, RAM2500, RAM3500
SILVERADO, TUNDRA, DENALI

LENGTHS - 6.5ft - (1986mm)
7ft - (2286mm)
8ft - (2526mm)



Weekender flatbed trays

F-150, F-250, RAM1500, RAM2500, RAM3500, SILVERADO, TUNDRA, DENALI

- Transferable between vehicle models
- 5/32" high tensile plate floor on all trays
- 13/64" checker plate side rails
- Extruded sideboards with built in stiffeners on all trays
- 3" x 1.5" x 1/4" high tensile aluminium chassis runners
- 3" x 13/64" mandrel bent tube headboard
- Spare wheel holders intergrated into the headboard
- Heavy duty stainless steel hinges and catches
- Maxi Lamp LED tail lights
- Router cut 3/8" plate mounts
- Optional one piece flared guard - suits 37-40" wheels
- 4 under tray toolboxes
- 4ft x 28" x 6" rear drawer intergrated into tray
- 16 gallon poly water tank

LED MAXI LAMP
TAIL LIGHTS



COMPRESSION
ROLLER LOCKS

FROM
635LBS



MANDREL BENT
HEADBOARD

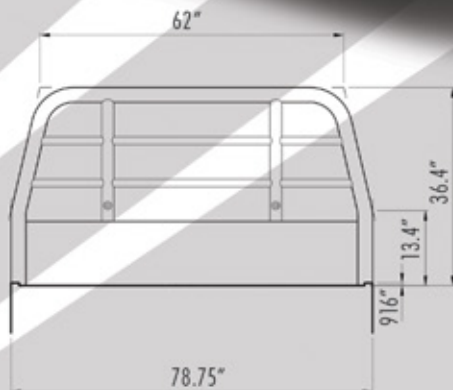
REAR DRAWER

INTERGRATED
REVERSE SENSORS



WATER TANK FILLER

16 GALLON POLY WATER TANK



F-150, F-250, RAM1500, RAM2500, RAM3500
SILVERADO, TUNDRA, DENALI



Extras for flatbed trays

F-150, F-250, RAM1500, RAM2500, RAM3500, SILVERADO, TUNDRA, DENALI



ONE PIECE
FLARED GUARD

ADJUSTABLE MOUNTS
TO SUIT 37-40" WHEELS

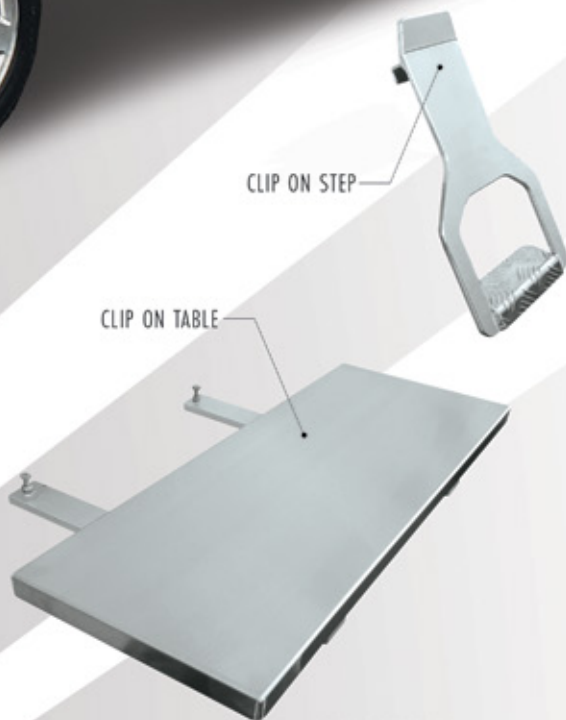
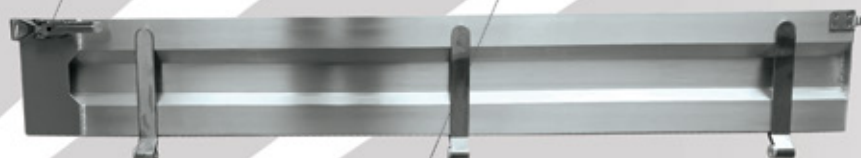
STAINLESS STEEL
LATCHES

EXTRUDED SIDEBOARDS
WITH BUILT IN STIFFENERS

STAINLESS STEEL
HINGES

CLIP ON STEP

CLIP ON TABLE





FOUR WHEEL

POP-UP CAMPERS



australia
NORWELD

Enjoy the Adventure!



FOUR WHEEL
POP-UP CAMPERS

For more information contact our sales team at

Four Wheel Campers

109 Pioneer Ave, Woodland, CA 95776

+1 530-666-1442

fourwheelcampers.com

